

This page sets out common details for fitting site assembled, in-plane rooflights to Steadmans Twin Skin roof system. All the details here will be available in CAD format from the Steadmans web site during 2008.

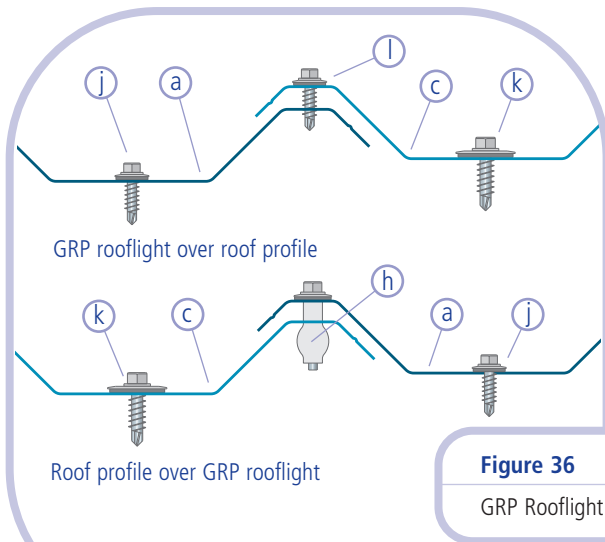


Figure 36
GRP Rooflight side laps

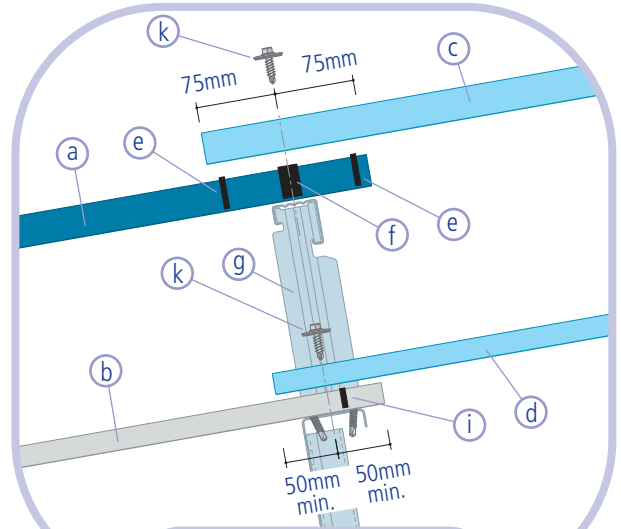


Figure 37
GRP rooflight over roof profile

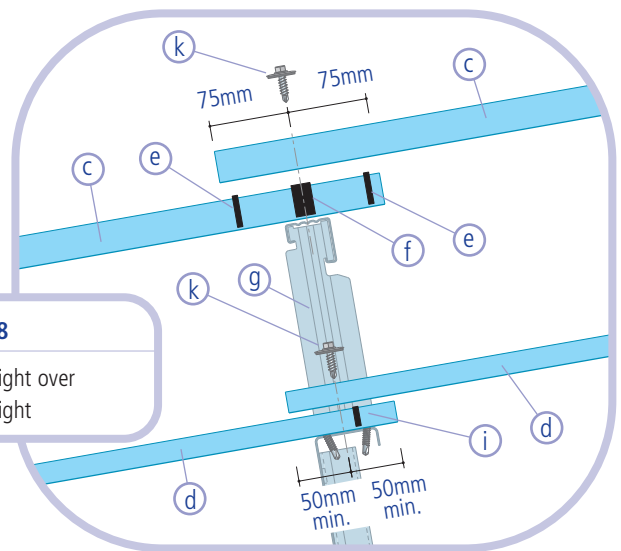


Figure 38
GRP rooflight over GRP rooflight

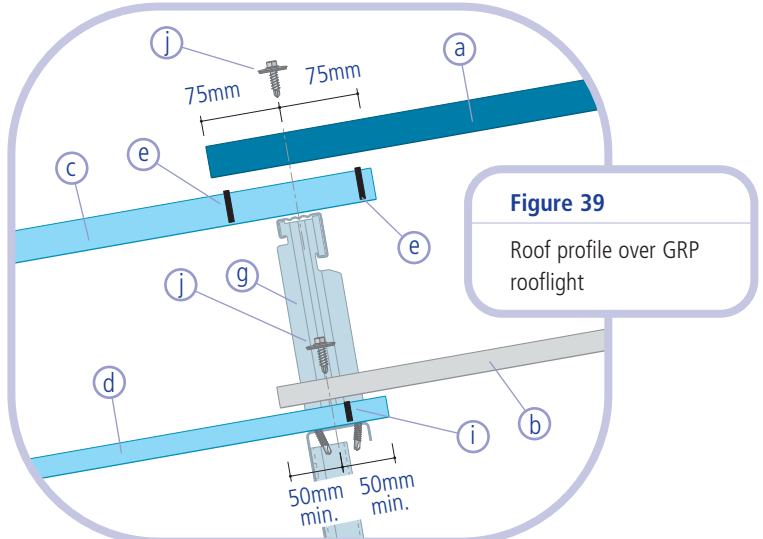


Figure 39
Roof profile over GRP rooflight

- Key to figures 36 to 39**
- a** AS profile weather sheet - side and end laps sealed with 6 x 5mm butyl rubber
 - b** AS20 liner sheet - side laps sealed with 50 x 1mm polyband tape, end laps sealed with 4mm diameter butyl rubber
 - c** GRP rooflight - side laps sealed with 6 x 5mm butyl rubber
 - d** GRP liner rooflight - side laps sealed with 50 x 1mm polyband tape
 - e** 8mm diameter butyl rubber seal 10 - 15mm in from end of the lap
 - f** 18 x 4mm U-section butyl rubber seal below primary fixings
 - g** Bar and bracket system
 - h** Lap lock fastener with 19mm washer
 - i** 4mm diameter butyl rubber seal 10 - 15mm up slope from fixing
 - j** 25mm fastener with 16mm washer
 - k** 25mm fastener with 29mm washer to every valley
 - l** 23mm stitcher screw with 16mm washer

Notes

- Insulation omitted from figures 37 - 39 for clarity